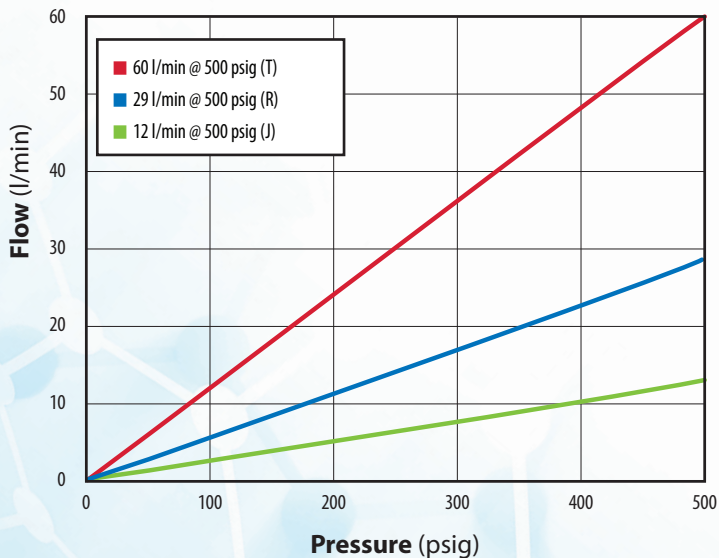


HIGH PRESSURE EV SERIES



Clippard's EHV series are a high pressure version of the renowned EV series. They are precision-built 2-way control valves that accept low voltage, low current signals and convert them to high pressure (500 psig, 34.5 bar) pneumatic outputs. Like the original EV series, EHV series valves consume very little power and provide exceptionally long life. In addition, they are small in size, quiet, and produce very little heat. These features make them well-suited for a wide range of applications across a broad spectrum of industries.

TYPICAL FLOW



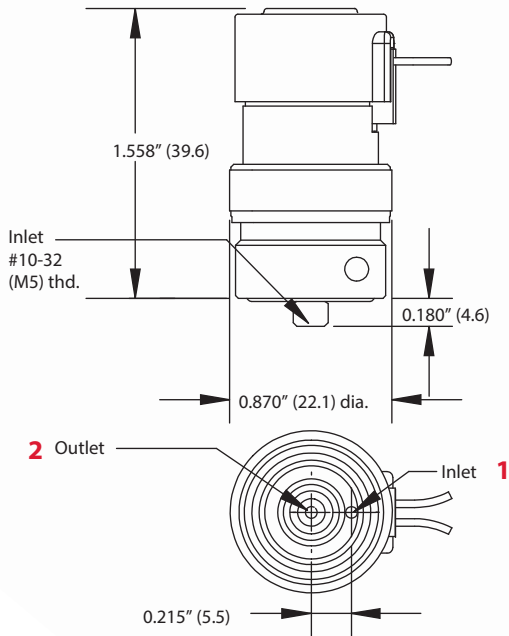
Coil Resistance	218 (12V), 864 (24V)
Connection	Pin connector, spade terminals, or radial wire leads
Current	0.055A (12V), 0.028A (24V)
Filtration	40 micron filter (<i>recommended</i>)
Function	2-way normally-closed (<i>monodirectional</i>)
Material, Body	Nickel alloy, stainless steel, ENP steel
Material, Seals	Nitrile standard; FKM and EPDM ¹ available
Material, Spring	Nickel alloy
Material, Wetted	Nickel alloy, stainless steel, ENP steel
Max. Flow	12, 29, or 60 l/min @ 500 psig (34.5 bar)
Max. psig	500 (34.5 bar)
Medium	Clean, dry air and compatible gases
Mount	Manifold
Number of Ports	2
Operating Pressure	Vac. to 500 psig (34.5 bar)
Operating Range	90 to 150% of rated voltage
Operating Temp. Range	32 to 180°F (0 to 82°C)
Orifice	0.009", 0.013", or 0.020" (0.23, 0.33, or 0.51 mm)
Port, Inlet	#10-32 male or M5
Port, Outlet	#10-32 or M5 (in-line)
Response Time	5 to 10 ms (nominal)
Voltage	12 or 24 VDC
Voltage Operating Range	90 to 150%
Wattage	0.67 watts (nominal)
More Details	clippard.com/link/ehv-series

¹Minimum order quantity required

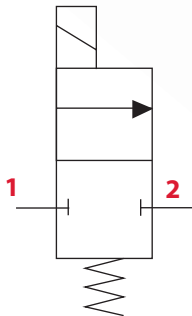
Does your application have requirements beyond what is listed? Contact Clippard to discuss how this valve can be modified to meet your specific needs.

Manifold Mount

2-Way



2-Way



Dimensions shown are in inches
(millimeters listed in parentheses).
Visit clippard.com for more
detailed 2D and 3D drawings.



EHV series valves are the "heart"
of Clippard's CHP series high
pressure electronic regulator.

- Extremely small dead volume
- Low vibration and noise
- Fast response time
- Low energy consumption
- Exceptional repeatability and reliability
- Compact and ideal for sub-assemblies
- 100% tested

ORDERING INFORMATION



Units

(blank) Imperial
M- Metric

E

Connection

C Pin Connector
T Spade Terminals
V Radial Wire Leads



- 2

M

Voltage

12 12 VDC
24 24 VDC



Flow*

T 60 l/min
R 29 l/min
J 12 l/min

*@ 500 psig (34.5 bar)



Seals

(blank) Nitrile
-V FKM
-E EPDM

Example Part Number:

EHC-2M-12-T

For more info, scan the
QR code or visit
clippard.com/link/ehv-series

